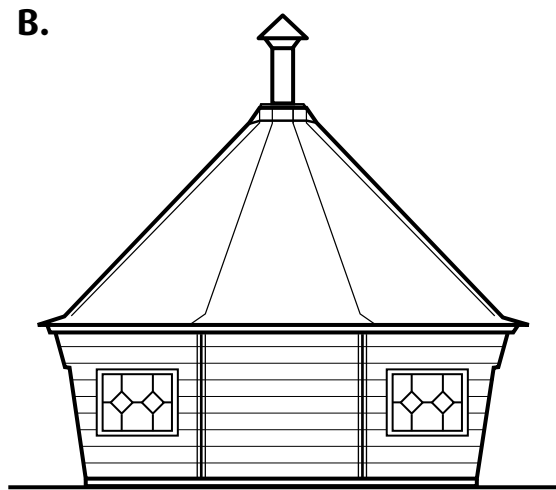
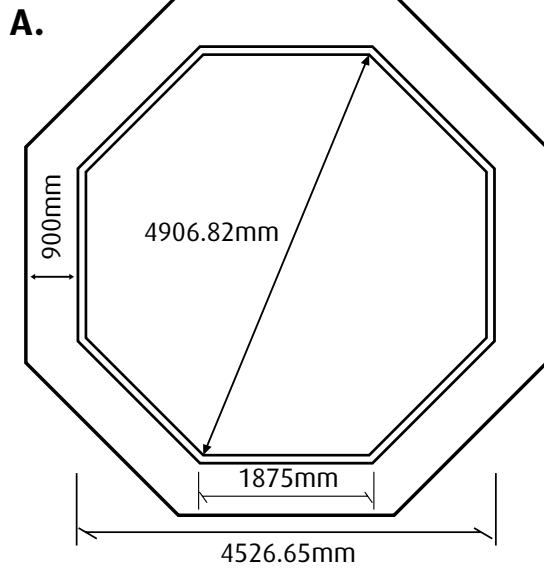
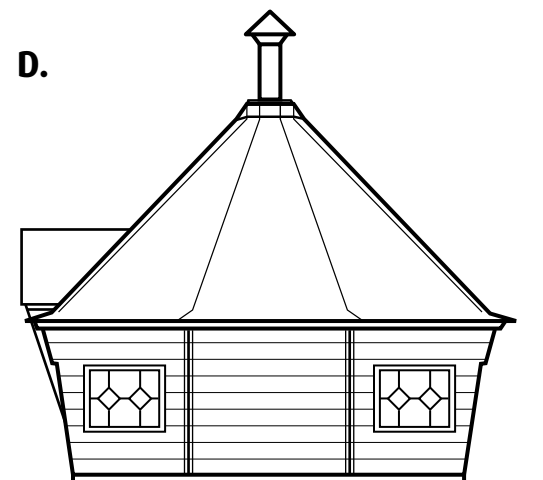
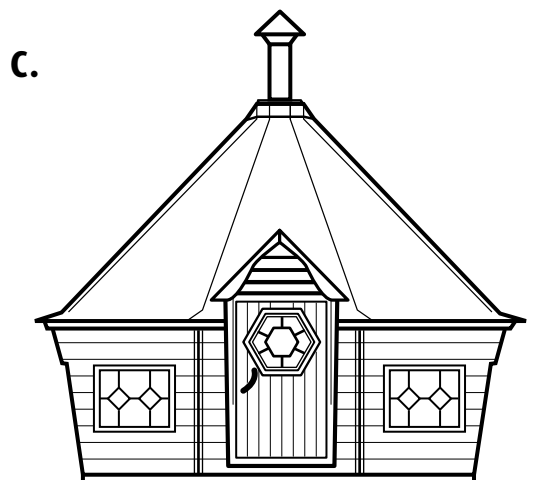


# 17m<sup>2</sup> Floor Plans



Footprint and profile of 17m<sup>2</sup> bbq cabin



Profile of 17m<sup>2</sup> bbq cabin

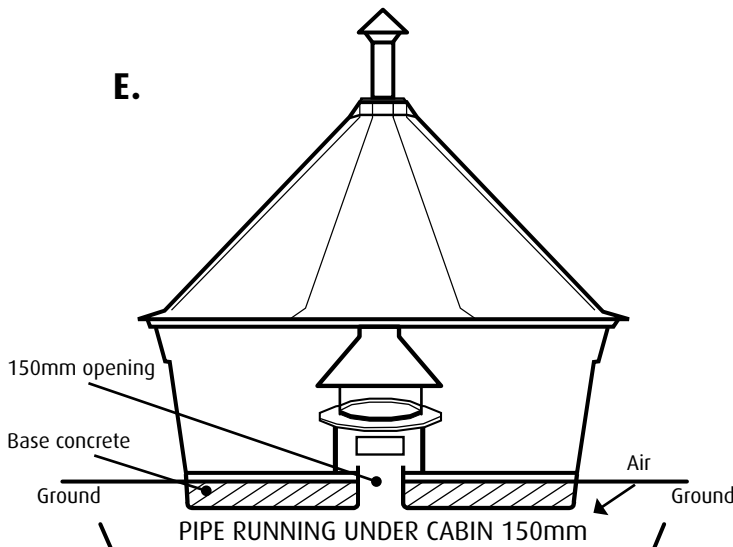


Illustration 'E' shows a cross section of a base for the 17m<sup>2</sup> cabin. 100mm/150mm concrete plinth with 150mm air inlet from 2 sides to come up underneath the barbecue unit. Make sure there is at least 50mm of concrete covering the pipe. Put a smooth and level finish around the edge of the concrete plinth to allow the cabin to stand properly.

Please remember that we need the base to be 900mm or more from any incumbrance to allow for the sloping walls and roof pelmet.

Check out the website for our ranges: [www.arcticcabins.co.uk](http://www.arcticcabins.co.uk)  
Services available • Delivery 3-28 days • Base fitting • Build up service from £595\*

\*Cost to be confirmed after site inspection